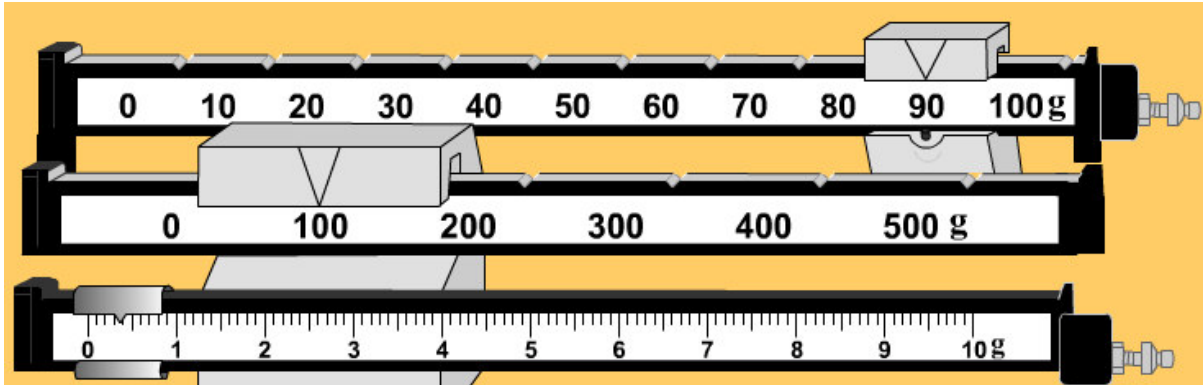
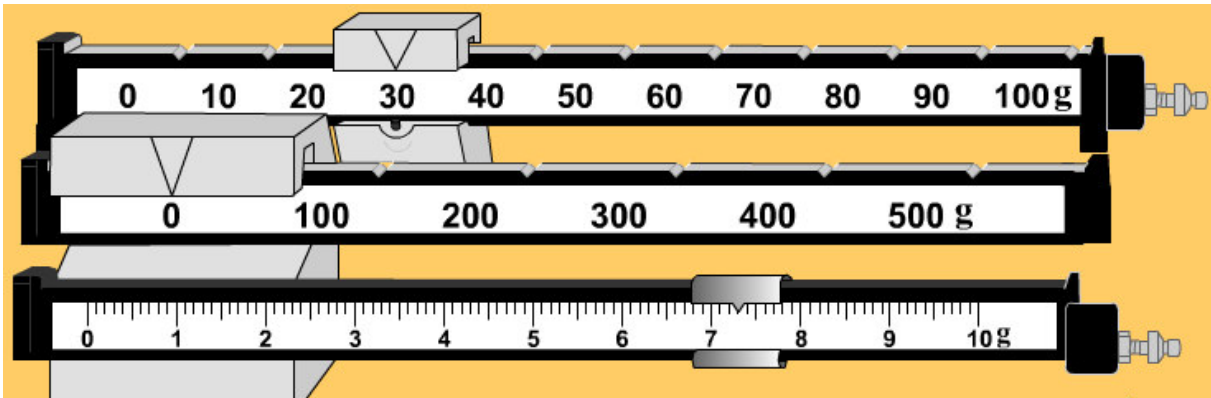


Triple Beam Balance Practice

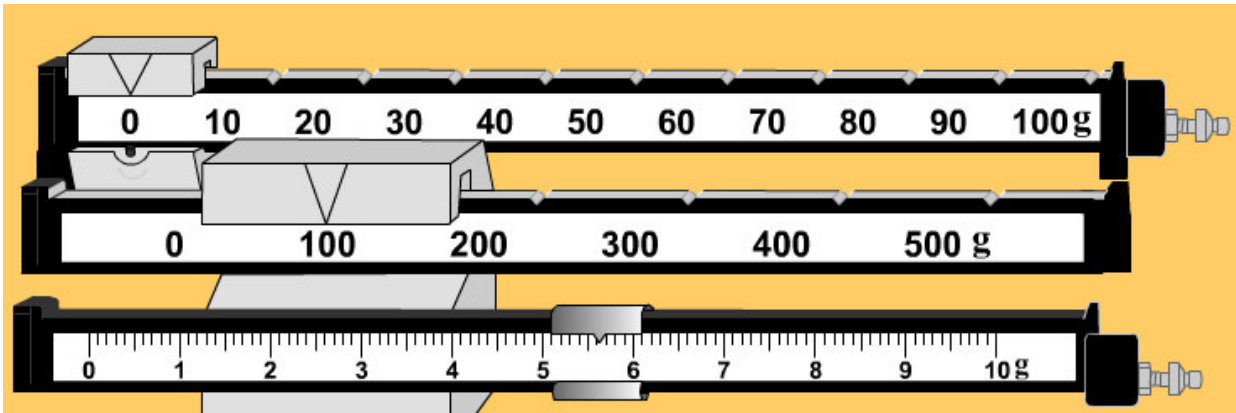
Record the mass show on each balance. Remember to include both the value on the beams and the unit of measurement.



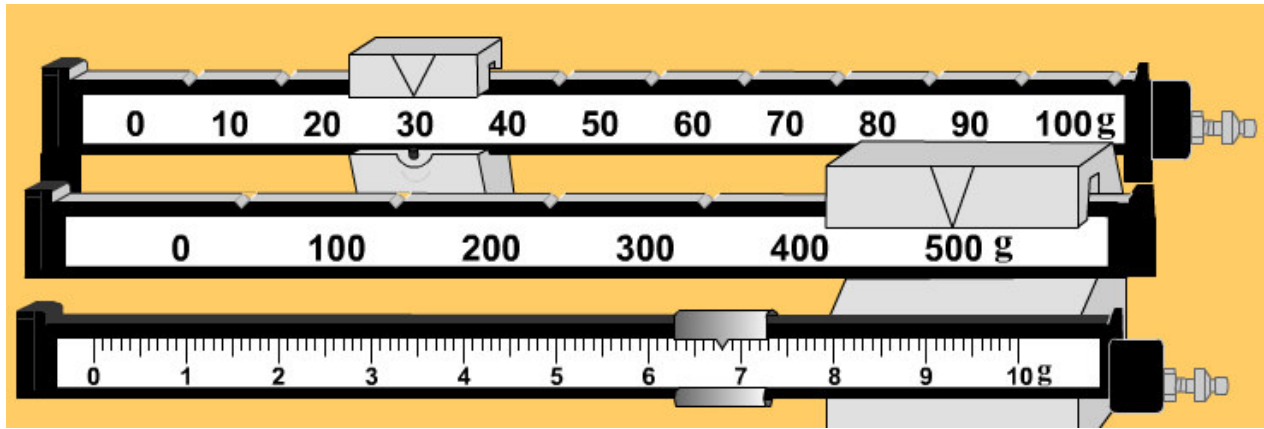
1. _____



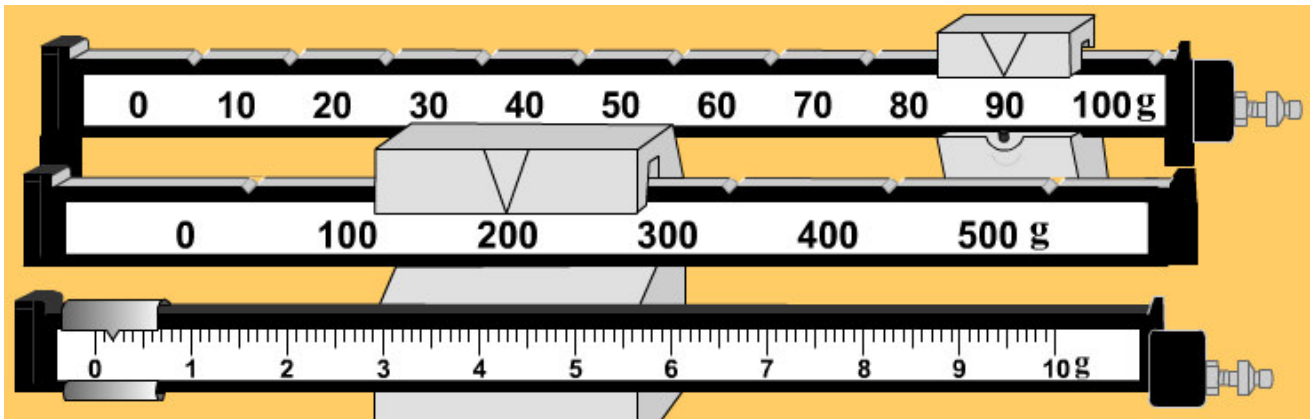
2. _____



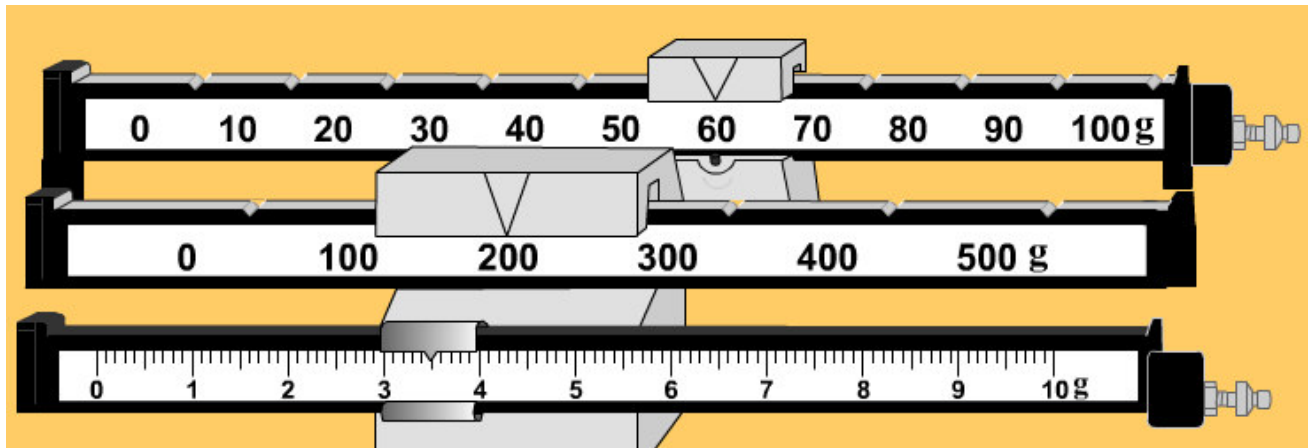
3. _____



4. _____



5. _____



6. _____